

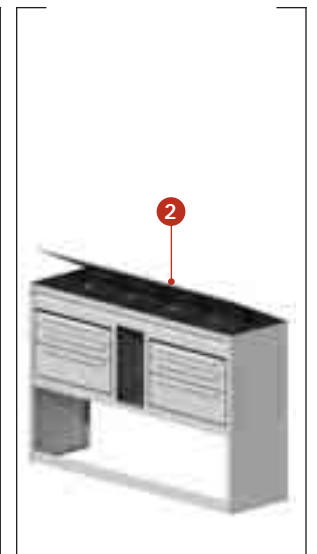
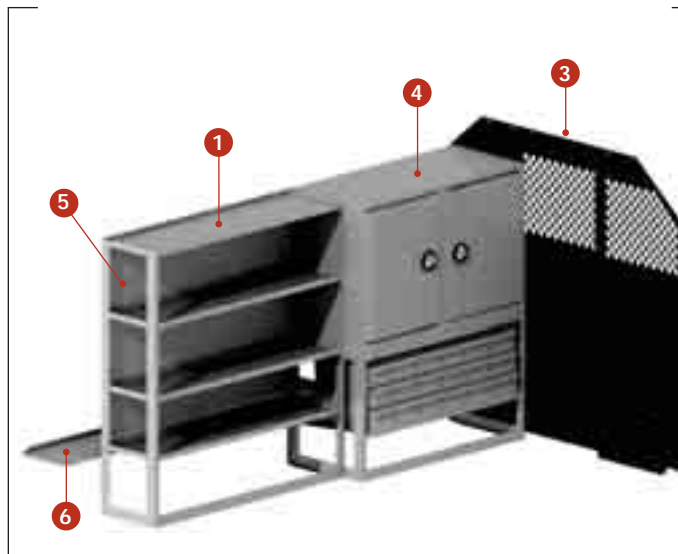
COMMERCIAL VAN INTERIOR PACKAGES

TELECOM, CABLE & UTILITY CONSTRUCTION

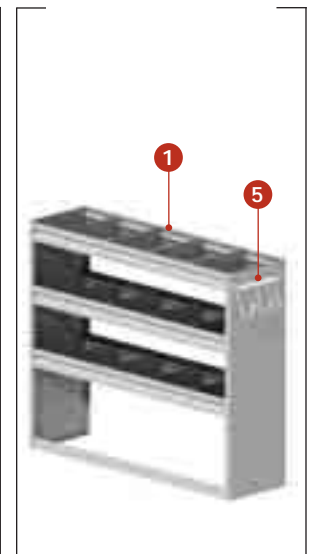
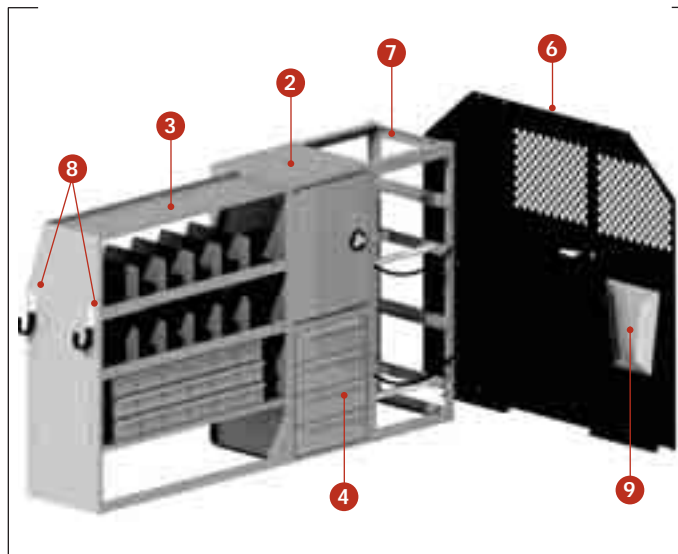
Packed with standard features including plenty of drawers and cabinets. Provides efficient storage of tools and equipment. Perfect work solutions from industry experts. Ladder racks, accessories, and safety equipment complete the package to tackle any job.



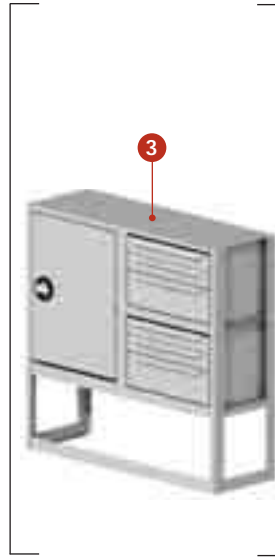
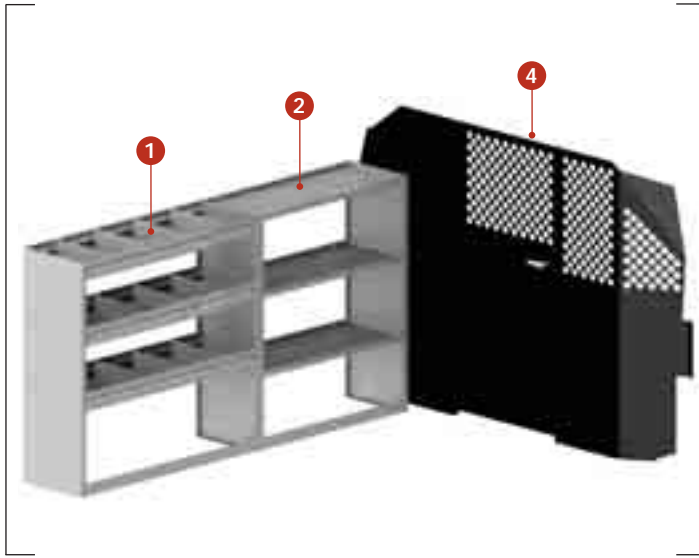
Telecom, Cable, Utility Construction Package			
> Full Size Vans			
PACKAGE #022692			
Item #	Description	Qty.	Page
1	021410 Shelf, Open End 46" H x 43" W x 12" D	1	34
2	022701 Parts Tray/Parts Drawer 28" H x 43" W x 12" D	1	31
3	027084 Partition Fixed Center SL-PM-PR	1	27
4	027459 Parts Drawer/Cabinet Module 46" H x 37" W x 12" D	1	32
5	027486 Shelf Back Panel 36" H x 43" W	1	36
6	027501 Step Ladder Slide	1	39
7	Note Partition Attachment Panels* Must Specify Vehicle Make	1	27



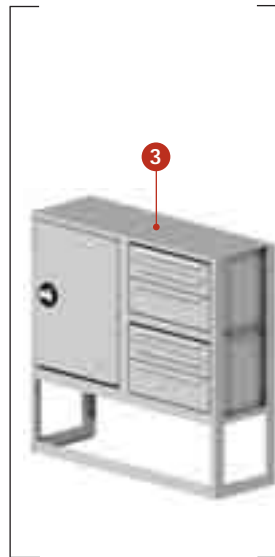
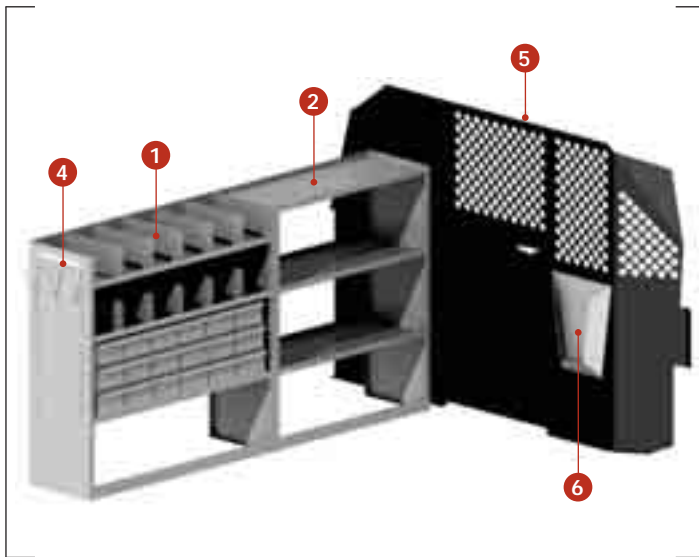
Telecom, Cable, Utility Construction Package			
> Full Size Vans			
PACKAGE #022658			
Item #	Description	Qty.	Page
1	022264 Parts Tray Module 36" H x 43" W x 12" D	1	31
2	022466 Cabinet Storage 24" H x 18.5" W x 18" D	1	37
3	022685 Parts Cabinet w/ Dividers 46" H x 43" W x 16" D	1	30
4	024056 Cabinet, 4 Drawer, Large 22" H x 18.5" W x 18" D	1	37
5	025527 Triple Hook Assembly	1	36
6	027088 Partition w/Door SL-HM-PR	1	27
7	027282 Cable Reel Holder 46" H x 19" W x 16" D	1	38
8	027502 J Hooks (Pair) 3" Dia.	1	36
9	027504 Hard Hat Holder	1	28
10	Note Partition Attachment Panels* Must Specify Vehicle Make	1	27



*Not Shown



Telecom, Cable, Utility Construction Package			
> Astro / Safari			
PACKAGE #022664			
Item #	Description	Qty.	Page
1	022262 Parts Tray Module 36"H x 37"W x 12"D	1	31
2	022833 Shelf, Solid End 36"H x 31"W x 12"D	1	34
3	025520 Cabinet/Parts Drawer Module 36"H x 37"W x 12"D	1	31
4	026636 Partition w/Door SL-HM-PR	1	27



Telecom, Cable, Utility Construction Package			
> Astro / Safari			
PACKAGE #027378			
Item #	Description	Qty.	Page
1	020069 Divided Shelf/Parts Cabinet 36"H x 37"W x 12"D	1	32
2	022833 Shelf, Solid End 36"H x 31"W x 12"D	1	34
3	025520 Cabinet/Parts Drawer Module 36"H x 37"W x 12"D	1	31
4	025527 Triple Hook Assembly	1	36
5	026636 Partition w/Door SL-HM-PR	1	27
6	027504 Hard Hat Holder	1	28



Power-on-Demand

Power inverters bring 110V AC right to the job site. Add serious AC power to your work truck with an inverter kit. "Quasi-sine" wave inverters provide power suitable for hand tools, compressors, motors, flood lights and just about anything else. More sensitive devices such as video monitors, test equipment, and 110V fluorescent lights require the clean signal of "pure sine" wave power. Refer to page 39 for ordering information.