

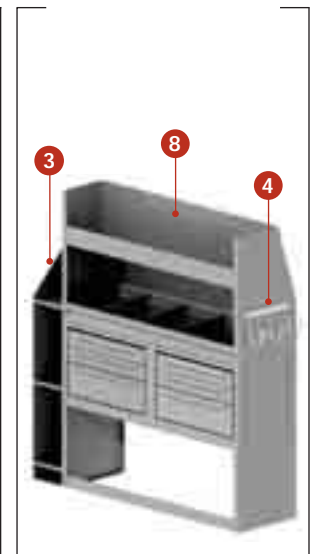
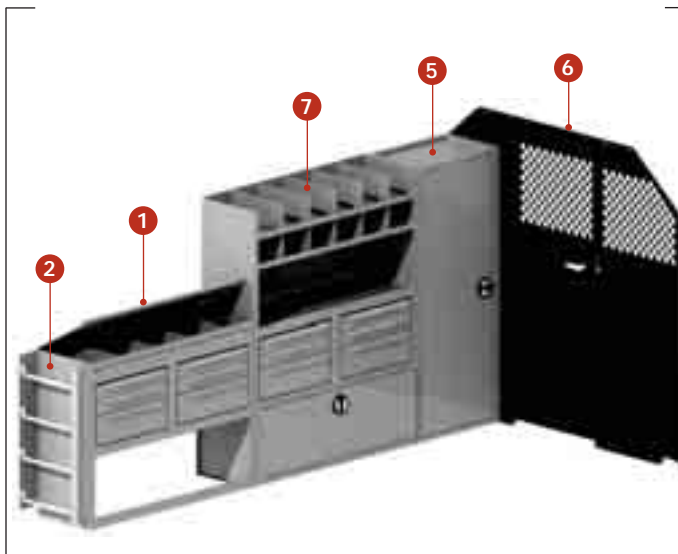
COMMERCIAL VAN INTERIOR PACKAGES

SECURITY ALARM & LOCKSMITH SERVICE

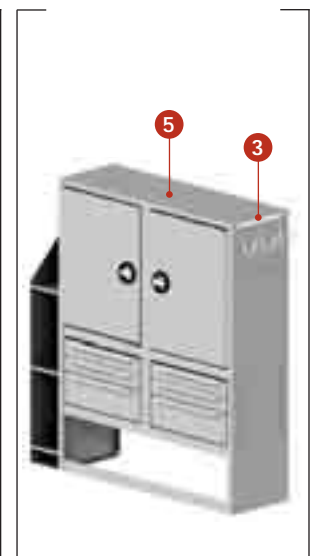
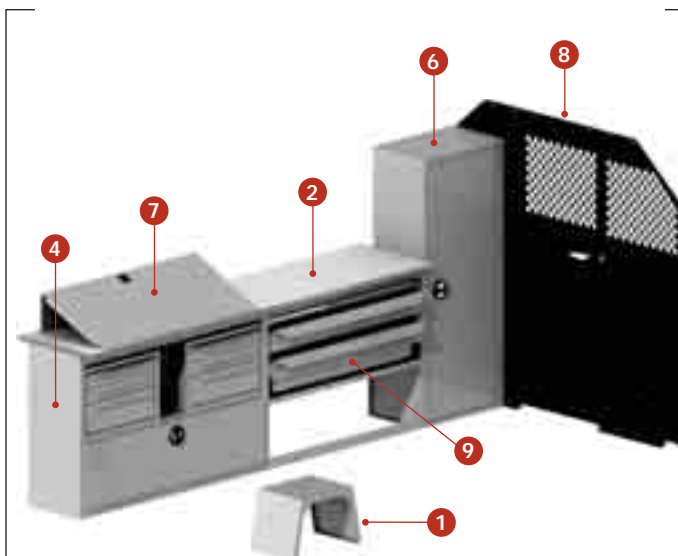
The perfect mobile work shop for efficient on the job performance. Plenty of adjustable drawers for small parts storage. Organize everything required for on-site job needs.



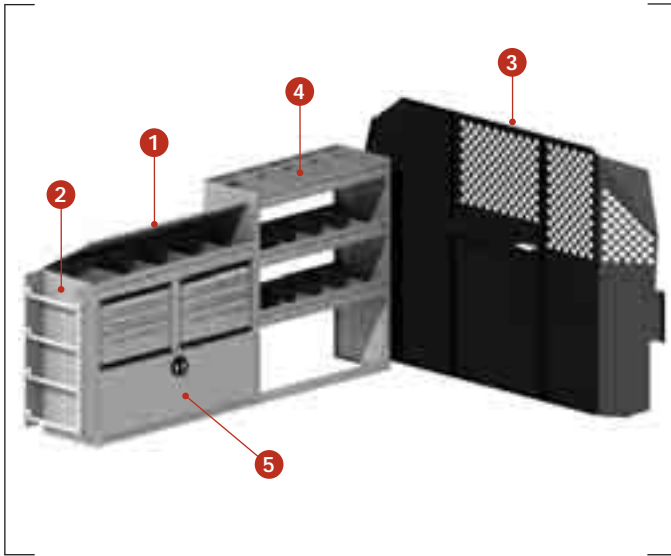
| Security Alarm Installer Package | | | |
|----------------------------------|--|------|------|
| > Full Size Vans | | | |
| PACKAGE #027506 | | | |
| Item # | Description | Qty. | Page |
| 1 | 022700 Parts Tray/Parts Drawer 28"H x 37"W x 12"D | 1 | 31 |
| 2 | 024304 Wire Spool Carrier | 1 | 38 |
| 3 | 025522 Manual Rack 36"H x 6"W x 12"D | 1 | 38 |
| 4 | 025527 Triple Hook Assembly | 1 | 36 |
| 5 | 025841 Storage Cabinet 46"H x 18.5"W x 12"D | 1 | 32 |
| 6 | 027088 Partition w/Door SL-HM-PR | 1 | 27 |
| 7 | 027446 Parts Drawer/Bin Module 46"H x 37"W x 12"D | 1 | 30 |
| 8 | 027449 Utility Shelf/Parts Drawer 46"H x 37"W x 12"D | 1 | 31 |
| 9 | Note Partition Attachment Panels* Must Specify Vehicle Make | 1 | 27 |



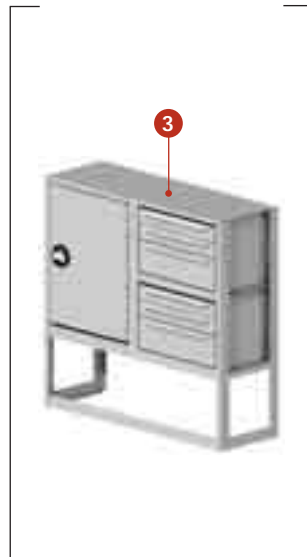
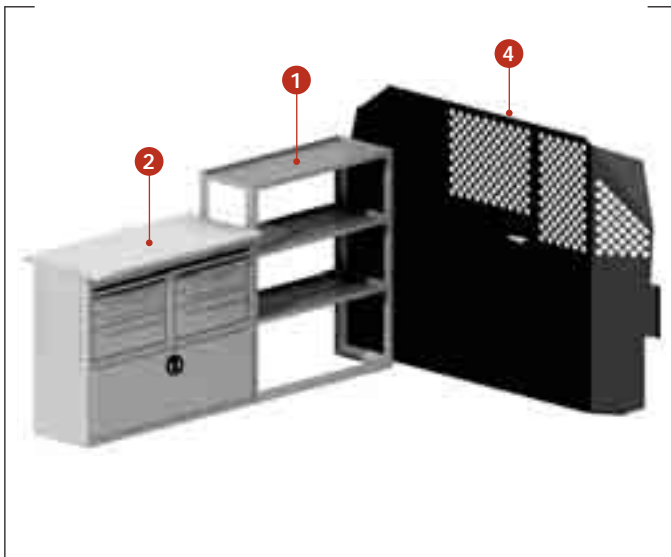
| Locksmith Package | | | |
|-------------------|--|------|------|
| > Full Size Vans | | | |
| PACKAGE #027508 | | | |
| Item # | Description | Qty. | Page |
| 1 | 020033 Stool | 1 | 38 |
| 2 | 020316 Worktop 37"W x 14"D | 1 | 36 |
| 3 | 025527 Triple Hook Assembly | 1 | 36 |
| 4 | 022706 Workbench Module 28"H x 43"W x 12"D | 1 | 31 |
| 5 | 025321 Parts Drawer/Cabinet Module 46"H x 43"W x 12"D | 1 | 30 |
| 6 | 025841 Storage Cabinet 46"H x 18.5"W x 12"D | 1 | 32 |
| 7 | 026087 Key Cutting Machine Holder | 1 | 36 |
| 8 | 027088 Partition w/Door SL-HM-PR | 1 | 27 |
| 9 | 027510 Drawer Storage Module 28"H x 37"W x 18"D | 1 | 32 |
| 10 | Note Partition Attachment Panels* Must Specify Vehicle Make | 1 | 27 |



*Not Shown



| Security Alarm Installer Package | | | |
|----------------------------------|---|------|------|
| > Astro/Safari | | | |
| PACKAGE #027507 | | | |
| Item # | Description | Qty. | Page |
| 1 | 022700 Parts Tray/Parts Drawer 28" H x 37" W x 12" D | 1 | 31 |
| 2 | 024304 Wire Spool Carrier | 1 | 38 |
| 3 | 026636 Partition w/Door SL-HM-PR | 1 | 27 |
| 4 | 026801 Parts Tray Module 36" H x 31" W x 12" D | 1 | 31 |
| 5 | 027497 Lockable Storage Door 12" H x 37" W | 1 | 36 |
| 6 | 027510 Drawer Storage Module 28" H x 37" W x 18" D | 1 | 32 |



| Locksmith Package | | | |
|-------------------|---|------|------|
| > Astro/Safari | | | |
| PACKAGE #027509 | | | |
| Item # | Description | Qty. | Page |
| 1 | 021418 Shelf, Open End 36" H x 31" W x 12" D | 1 | 34 |
| 2 | 022707 Workbench Module 28" H x 37" W x 12" D | 1 | 31 |
| 3 | 025520 Cabinet/Parts Drawer Module 36" H x 37" W x 12" D | 1 | 31 |
| 4 | 026636 Partition w/Door SL-HM-PR | 1 | 27 |



Masterack's drawer system is perfect for parts storage. Drawers consist of heavy gauge steel frames, full extension long life ball bearing drawer slides, and molded ABS plastic trays with lock-in movable dividers. Easy to use, automatic lock-in, lock-out feature standard. Available in 3" and 6" deep drawers. See page 45 for ordering guide.